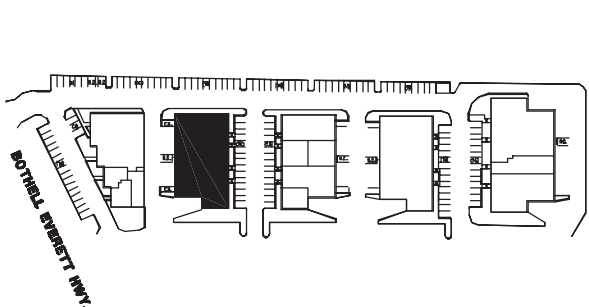


FLOOR PLAN - BLDG. E

NOT TO SCALE



**NORTHCREEK
BUSINESS PARK**

17903 BOTHELL EVERETT HWY.
BOTHELL, WA. 98012

ROSEN | HARBOTTLE